

Logic Diagram

FEATURES:

- 3.3V low voltage operation 128K x 8 Bit EEPROM
- RAD-PAK® radiation-hardened against natural space radiation
- Total dose hardness:
 - > 100 krad (Si), depending upon space mission
- Excellent Single Event Effects:
 - $SEL_{TH} > 84 \text{ MeV/mg/cm}^2$
 - $SEU_{TH} > 37 \text{ MeV/mg/cm}^2$ (read mode)
 - SEU saturated cross section = $3E-6 \text{ cm}^2$ (read mode)
 - $SEU_{TH} = 11.4 \text{ MeV/mg/cm}^2$ (write mode)
 - SEU saturated cross section = $5E-3 \text{ cm}^2$ (write mode) with hard errors
- Package:
 - 32 Pin RAD-PAK® flat pack
 - 32 Pin RAD-PAK® DIP
 - JEDEC-approved byte-wide pinout
- Address Access Time:
 - 200, 250 ns maximum access times available
- High endurance:
 - 10,000 erase/write (in Page Mode), 10-year data retention
- Page write mode:
 - 1 to 128 bytes
- Automatic programming
 - 10 ms automatic page/byte write
- Low power dissipation
 - 20 mW/MHz active current (typ.)
 - 72 μW standby (maximum)

DESCRIPTION:

Maxwell Technologies' 28LV010 high density, 3.3V, 1 Megabit EEPROM microcircuit features a greater than 100 krad (Si) total dose tolerance, depending upon space mission. The 28LV010 is capable of in-system electrical Byte and Page programmability. It has a 128-Byte Page Programming function to make its erase and write operations faster. It also features Data Polling and a Ready/Busy signal to indicate the completion of erase and programming operations. In the 28LV010, hardware data protection is provided with the RES pin, in addition to noise protection on the WE signal and write inhibit on power on and off. Meanwhile, software data protection is implemented using the JEDEC-optional Standard algorithm. The 28LV010 is designed for high reliability in the most demanding space applications.

Maxwell Technologies' patented RAD-PAK® packaging technology incorporates radiation shielding in the microcircuit package. It eliminates the need for box shielding while providing the required radiation shielding for a lifetime in orbit or space mission. In a GEO orbit, RAD-PAK provides greater than 100 krad (Si) radiation dose tolerance. This product is available with screening up to Class S.

TABLE 1. 28LV010 PINOUT DESCRIPTION

PIN	SYMBOL	DESCRIPTION
12-5, 27, 26, 23, 25, 4, 28, 3, 31, 2	A0-A16	Address
13-15, 17-21	I/O0 - I/O7	Input/Output
$\overline{24}$	\overline{OE}	Output Enable
$\overline{22}$	\overline{CE}	Chip Enable
$\overline{29}$	\overline{WE}	Write Enable
32	V _{CC}	Power Supply
16	V _{SS}	Ground
1	RDY/ \overline{BUSY}	Ready/Busy
$\overline{30}$	\overline{RES}	Reset

TABLE 2. 28LV010 ABSOLUTE MAXIMUM RATINGS

PARAMETER	SYMBOL	MIN	TYP	MAX	UNIT
Supply Voltage (Relative to V _{SS})	V _{CC}	-0.6		7.0	V
Input Voltage (Relative to V _{SS})	V _{IN}	-0.5 ¹		7.0	V
Package Weight	RP		7.38		Grams
	RT		2.69		
	RD		10.97		
Thermal Impedence	ϕ_{JC}		2.17		°C/W
Operating Temperature Range	T _{OPR}	-55		125	°C
Storage Temperature Range	T _{STG}	-65		150	°C

1. V_{IN} min = -3.0 V for pulse width ≤ 50 ns.

TABLE 3. DELTA LIMITS¹

PARAMETER	VARIATION ²
I _{CC1}	±10%
I _{CC2}	±10%
I _{CC3A}	±10%
I _{CC3B}	±10%

- Parameters are measured and recorded as Deltas per MIL-STD-883 for Class S Devices
- Specified in Table 6

TABLE 4. 28LV010 RECOMMENDED OPERATING CONDITIONS

PARAMETER	SYMBOL	MIN	MAX	UNIT
Supply Voltage	V_{CC}	3.0	3.6	V
Input Voltage	V_{IL}	-0.3 ¹	0.8	V
$\overline{RES_PIN}$	V_{IH}	2.0 ²	$V_{CC}+0.3$	
	V_H	$V_{CC}-0.5$	$V_{CC}+1$	
Operating Temperature Range	T_{OPR}	-55	+125	°C

- V_{IL} min = -1.0 V for pulse width \leq 50 ns.
- V_{IH} min = 2.2 V for $V_{CC} = 3.6$ V.

TABLE 5. 28LV010 CAPACITANCE

(T_A = 25°C, F = 1MHz)

PARAMETER	SYMBOL	MIN	MAX	UNIT
Input Capacitance: $V_{IN} = 0V$ ¹	C_{IN}	--	6	pF
Output Capacitance: $V_{OUT} = 0V$ ¹	C_{OUT}	--	12	pF

- Guaranteed by design.

TABLE 6. 28LV010 DC ELECTRICAL CHARACTERISTICS

(V_{CC} = 3.3V ± 0.3, T_A = -55 TO +125°C UNLESS OTHERWISE SPECIFIED)

PARAMETER	TEST CONDITIONS	SYMBOL	SUBGROUPS	MIN	MAX	UNIT
Input Leakage Current	$V_{CC} = 3.6V, V_{IN} = 3.6V$	I_{LI}	1, 2, 3	--	2 ¹	μA
Output Leakage Current	$V_{CC} = 3.6V, V_{OUT} = 3.6V/0.4V$	I_{LO}	1, 2, 3	--	2	μA
Standby V _{CC} Current	$\overline{CE} = V_{CC}$ $CE = V_{IH}$	I_{CC1}	1, 2, 3	--	20	μA
		I_{CC2}		--	1	mA
Operating V _{CC} Current	$I_{OUT} = 0mA, Duty = 100%,$ Cycle = 1 μs @ $V_{CC} = 3.3V$ $I_{OUT} = 0mA, Duty = 100%,$ Cycle = 200 ns @ $V_{CC} = 3.3V$	I_{CC3}	1, 2, 3	--	6	mA
				15		
Input Voltage		V_{IL}	1, 2, 3	--	0.8	V
		V_{IH}		2.0 ²	--	
		V_H		$V_{CC}-0.5$	--	
Output Voltage ³	$I_{OL} = 2.1 mA$ $I_{OH} = -0.4 mA$ $I_{OH} = -0.1 mA$	V_{OL}	1, 2, 3	--	0.4	V
		V_{OH}		$V_{CC} \times 0.8$	--	
		V_{OH}		$V_{CC}-0.3$	--	
		V_{OH}			--	

1. I_{LI} on RES = 100 μA max.

- V_{IH} min = 2.2V for $V_{CC} = 3.6V$.
- Rdy/Bsy is an open collector output.

TABLE 7. 28LV010 AC CHARACTERISTICS FOR READ OPERATION¹
 (V_{CC} = 3.3V ± 10%, T_A = -55 to +125 °C UNLESS OTHERWISE SPECIFIED)

PARAMETER	TEST CONDITIONS	SYMBOL	SUBGROUPS	MIN	MAX	UNIT
Address Access Time -200 -250	$\overline{CE} = \overline{OE} = V_{IL}, \overline{WE} = V_{IH}$	t _{ACC}	9, 10, 11	-- --	200 250	ns
Chip Enable Access Time -200 -250	$\overline{OE} = V_{IL}, \overline{WE} = V_{IH}$	t _{CE}	9, 10, 11	-- --	200 250	ns
Output Enable Access Time -200 -250	$\overline{CE} = V_{IL}, \overline{WE} = V_{IH}$	t _{OE}	9, 10, 11	0 0	110 120	ns
Output Hold to Address Change -200 -250	$\overline{CE} = \overline{OE} = V_{IL}, \overline{WE} = V_{IH}$	t _{OH}	9, 10, 11	0 0	-- --	ns
Output Disable to High-Z ² -200 -250	$\overline{CE} = V_{IL}, \overline{WE} = V_{IH}$	t _{DF}	9, 10, 11	0 0	50 50	ns
Output Disable to High-Z -200 -250	$\overline{CE} = \overline{OE} = V_{IL}, \overline{WE} = V_{IH}$	t _{DFR}	9, 10, 11	0 0	300 350	ns
RES to Output Delay ³ -200 -250	$\overline{CE} = \overline{OE} = V_{IL}, \overline{WE} = V_{IH}$	t _{RR}	9, 10, 11	0 0	525 600	ns

1. Test conditions: Input pulse levels - 0.4V to 2.4V; input rise and fall times < 20 ns; output load - 1 TTL gate + 100 pF (including scope and jig); reference levels for measuring timing - 0.8V/1.8V.
2. t_{DF} and t_{DFR} is defined as the time at which the output becomes an open circuit and data is no longer driven.
3. Guaranteed by design.

TABLE 8. 28LV010 AC ELECTRICAL CHARACTERISTICS FOR ERASE AND WRITE OPERATIONS
($V_{CC} = 3.3V \pm 10\%$, $T_A = -55$ TO $+125$ °C UNLESS OTHERWISE SPECIFIED)

PARAMETER	SYMBOL	SUBGROUPS	MIN	MAX	UNIT
Address Setup Time -200 -250	t_{AS}	9, 10, 11	0 0	-- --	ns
Chip Enable to Write Setup Time (\overline{WE} controlled) -200 -250	t_{CS}	9, 10, 11	0 0	-- --	ns
Write Pulse Width (\overline{CE} controlled) -200 -250	t_{CW}	9, 10, 11	200 250	-- --	ns
Write Pulse Width (\overline{WE} controlled) -200 -250	t_{WP}	9, 10, 11	200 250	-- --	ns
Address Hold Time -200 -250	t_{AH}	9, 10, 11	125 150	-- --	ns
Data Setup Time -200 -250	t_{DS}	9, 10, 11	100 100	-- --	ns
Data Hold Time -200 -250	t_{DH}	9, 10, 11	10 10	-- --	ns
Chip Enable Hold Time (\overline{WE} controlled) -200 -250	t_{CH}	9, 10, 11	0 0	-- --	ns
Write Enable to Write Setup Time (\overline{CE} controlled) -200 -250	t_{WS}	9, 10, 11	0 0	-- --	ns
Write Enable Hold Time (\overline{CE} controlled) -200 -250	t_{WH}	9, 10, 11	0 0	-- --	ns
Output Enable to Write Setup Time -200 -250	t_{OES}	9, 10, 11	0 0	-- --	ns
Output Enable Hold Time -200 -250	t_{OEH}	9, 10, 11	0 0	-- --	ns
Write Cycle Time ^{1,2} -200 -250	t_{WC}	9, 10, 11	-- --	15 15	ms

TABLE 8. 28LV010 AC ELECTRICAL CHARACTERISTICS FOR ERASE AND WRITE OPERATIONS

($V_{CC} = 3.3V \pm 10\%$, $T_A = -55$ TO $+125$ °C UNLESS OTHERWISE SPECIFIED)

PARAMETER	SYMBOL	SUBGROUPS	MIN	MAX	UNIT
Byte Load Cycle -200 -250	t_{BLC}	9, 10, 11	1 1	30 30	μs
Data Latch Time ² -200 -250	t_{DL}	9, 10, 11	700 750	- -	ns
Byte Load Window ² -200 -250	t_{BL}	9, 10, 11	100 100	-- --	μs
Time to Device Busy -200 -250	t_{DB}	9, 10, 11	100 120	-- --	ns
Write Start Time -200 -250	t_{DW}	9, 10, 11	150 250	-- --	ns
RES to Write Setup Time ² -200 -250	t_{RP}	9, 10, 11	100 100	-- --	μs
V_{CC} to RES Setup Time ² -200 -250	t_{RES}	9, 10, 11	1 1	-- --	μs

- t_{WC} must be longer than this value unless polling techniques or $\overline{RDY}/\overline{BSY}$ are used. This device automatically completes the internal write operation within this value.
- Guaranteed by design.

TABLE 9. 28LV010 MODE SELECTION^{1,2}

MODE	\overline{CE}	\overline{OE}	\overline{WE}	\overline{RES}	$\overline{RDY}/\overline{BUSY}$	I/O
Read	V_{IL}	V_{IL}	V_{IH}	V_H	High-Z	D_{OUT}
Standby	V_{IH}	X	X	X	High-Z	High-Z
Write	V_{IL}	V_{IH}	V_{IL}	V_H	High-Z --> V_{OL}	D_{IN}
Deselect	V_{IL}	V_{IH}	V_{IH}	V_H	High-Z	High-Z
Write Inhibit	X	X	V_{IH}	X	--	--
	X	V_{IL}	X	X	--	--
Data Polling	V_{IL}	V_{IL}	V_{IH}	V_H	V_{OL}	Data Out (I/O7)
Program	X	X	X	V_{IL}	High-Z	High-Z

- X = Don't care.
- Refer to the recommended DC operating conditions.

FIGURE 1. READ TIMING WAVEFORM

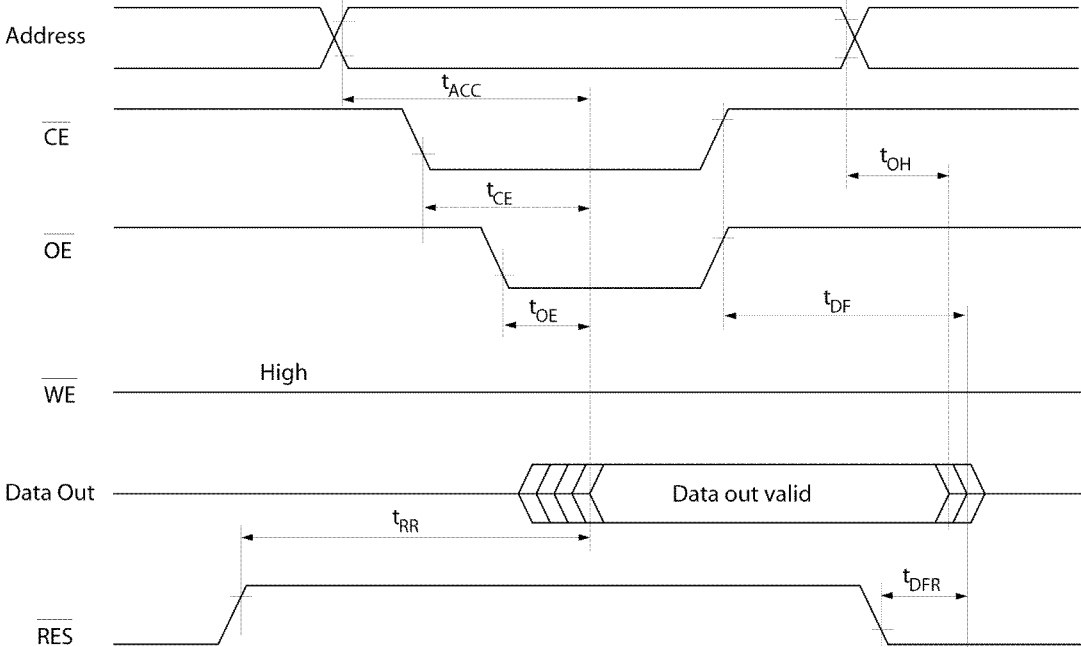


FIGURE 2. BYTE WRITE TIMING WAVEFORM(1) (\overline{WE} CONTROLLED)

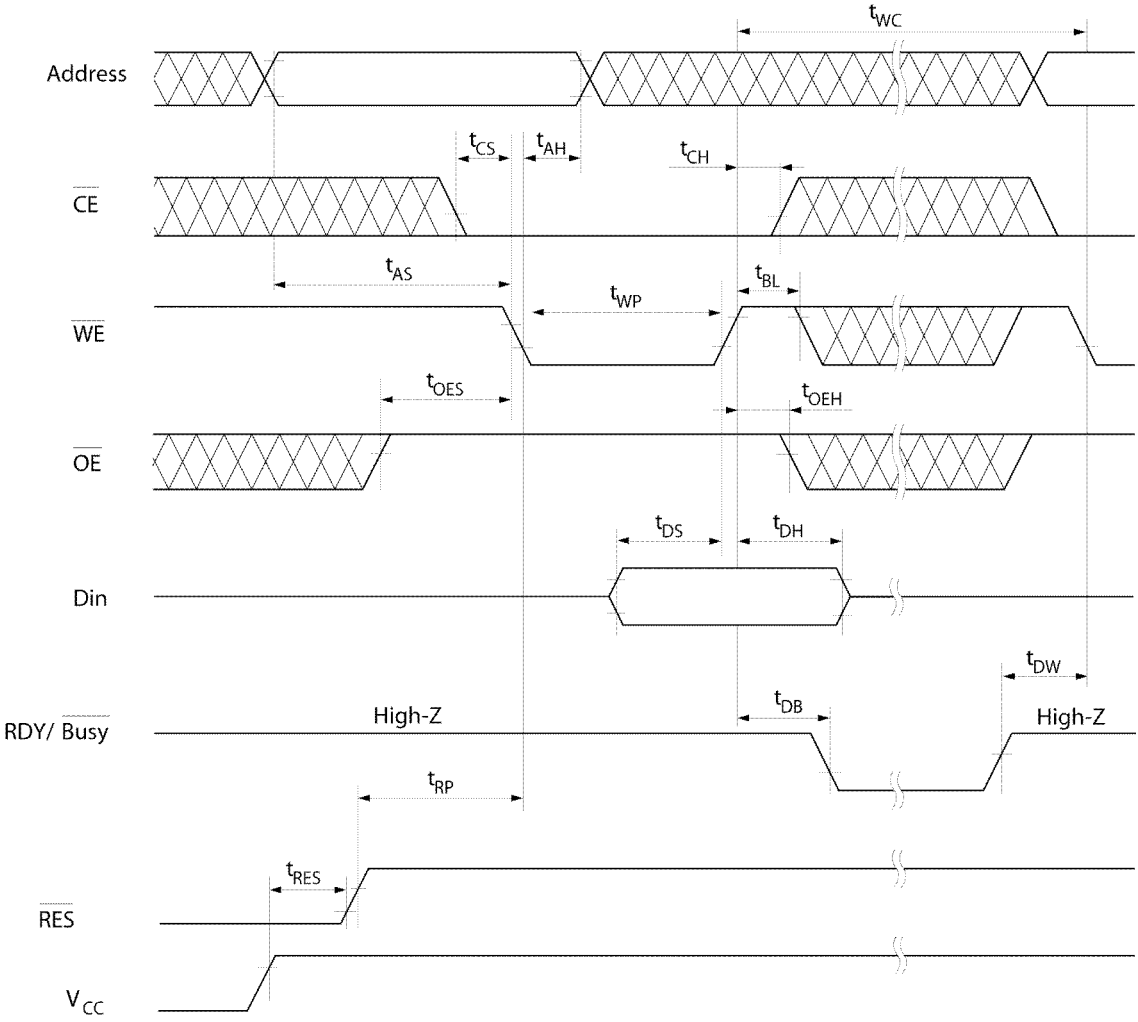


FIGURE 3. BYTE WRITE TIMING WAVEFORM (2) (\overline{CE} CONTROLLED)

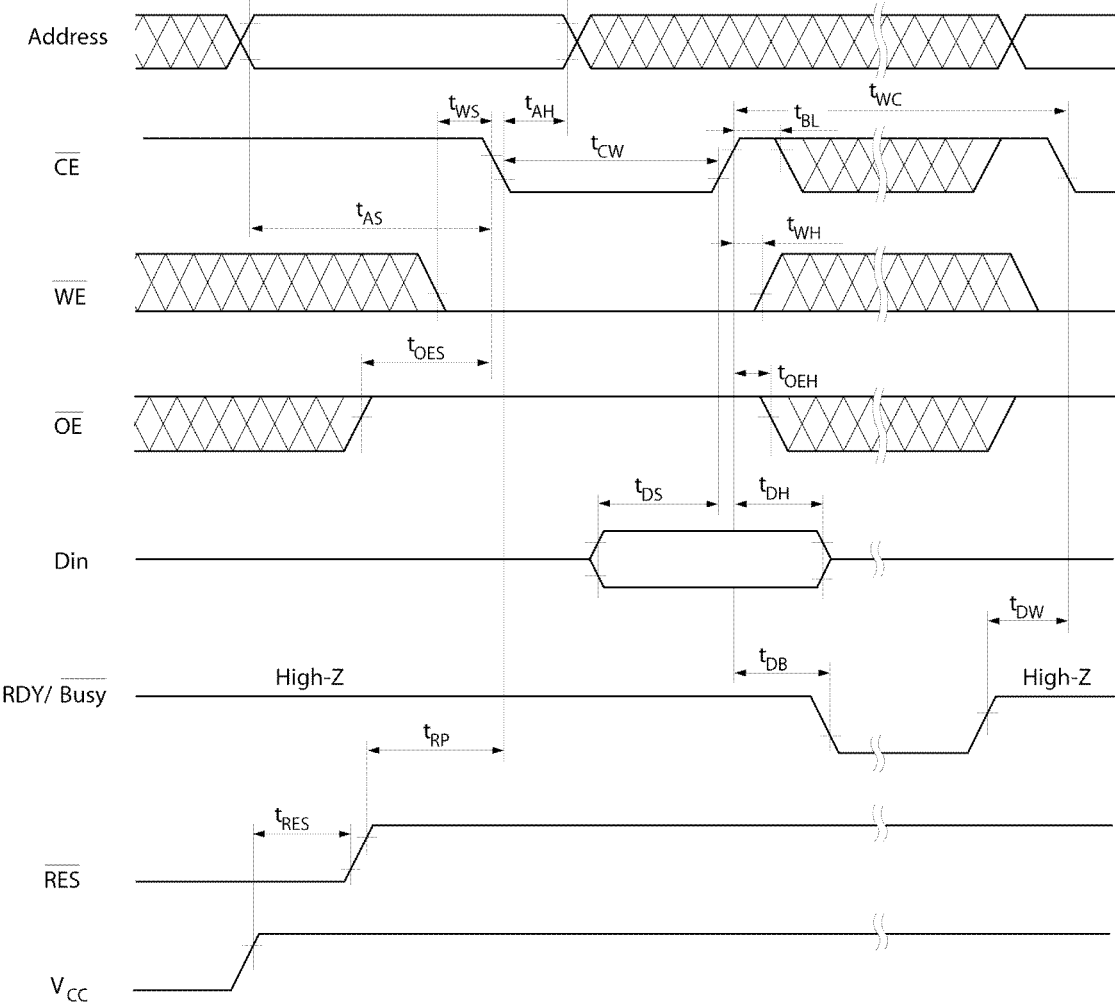


FIGURE 4. PAGE WRITE TIMING WAVEFORM(1) (\overline{WE} CONTROLLED)

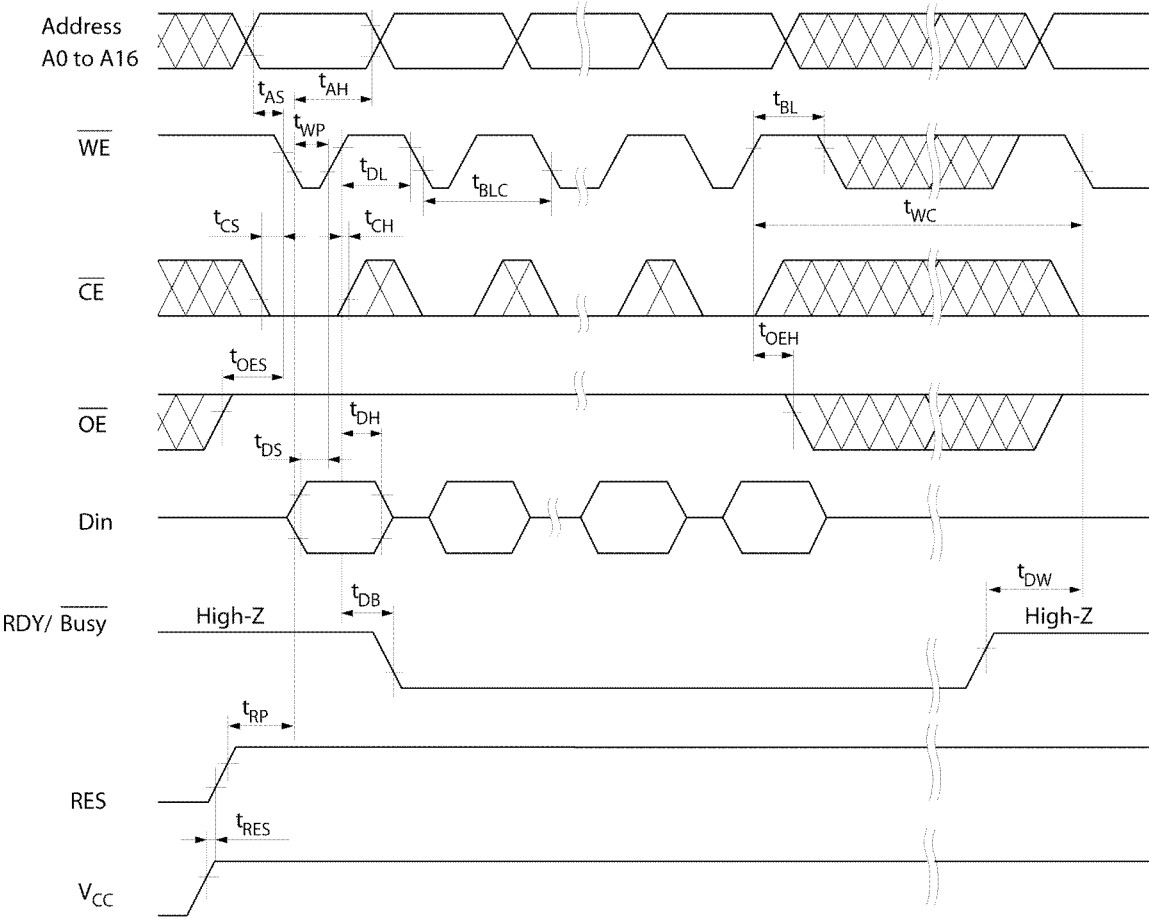


FIGURE 5. PAGE WRITE TIMING WAVEFORM(2) (\overline{CE} CONTROLLED)

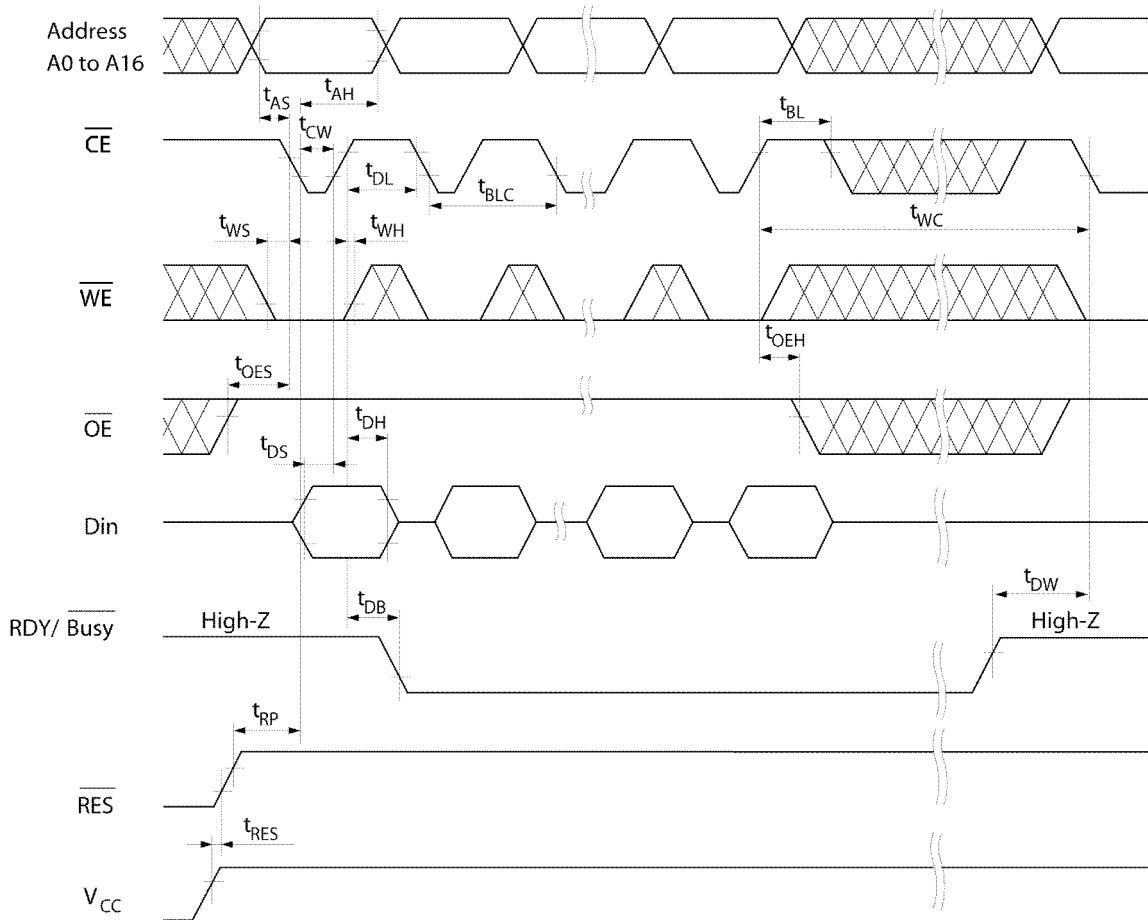


FIGURE 6. SOFTWARE DATA PROTECTION TIMING WAVEFORM(1) (IN PROTECTION MODE)

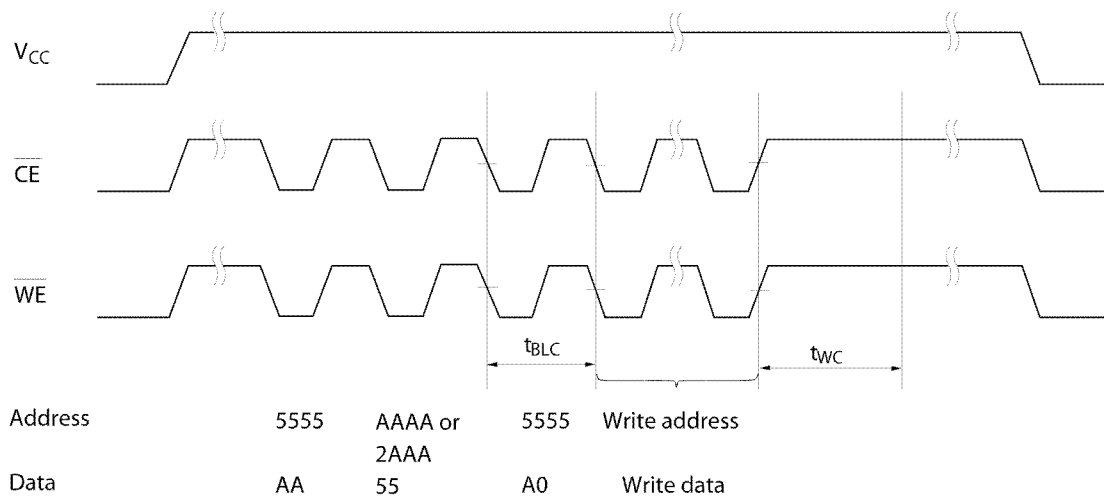


FIGURE 7. SOFTWARE DATA PROTECTION TIMING WAVEFORM(2) (IN NON-PROTECTION MODE)

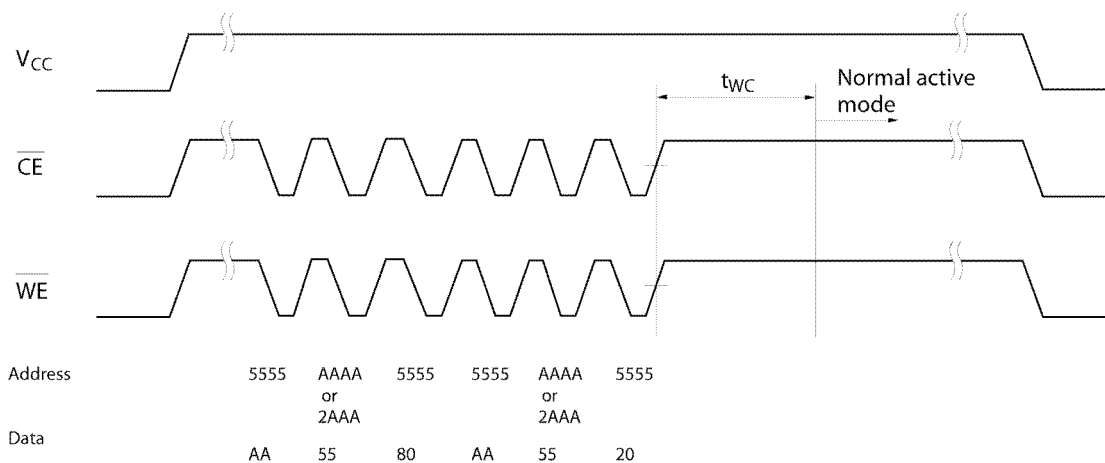


FIGURE 8. DATA POLLING TIMING WAVEFORM

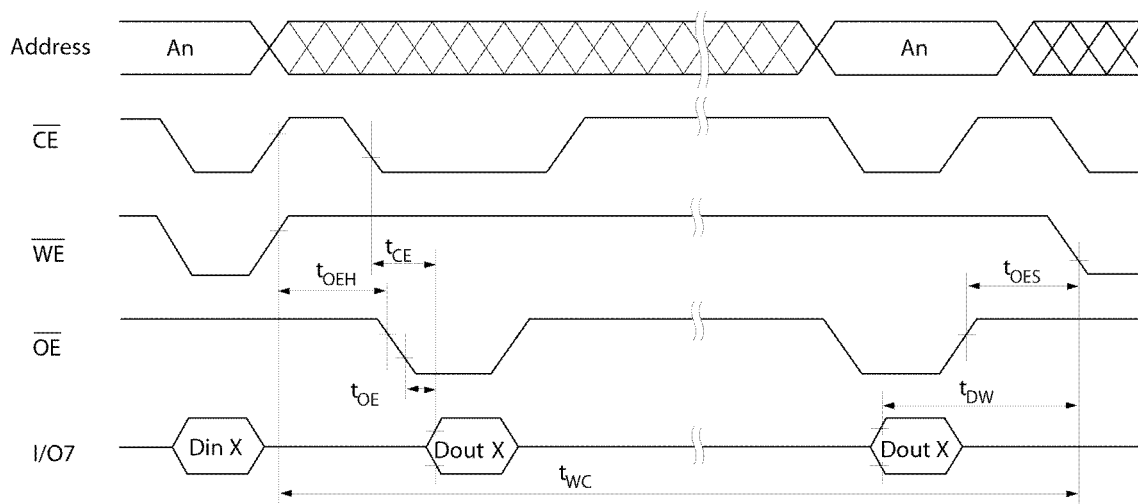
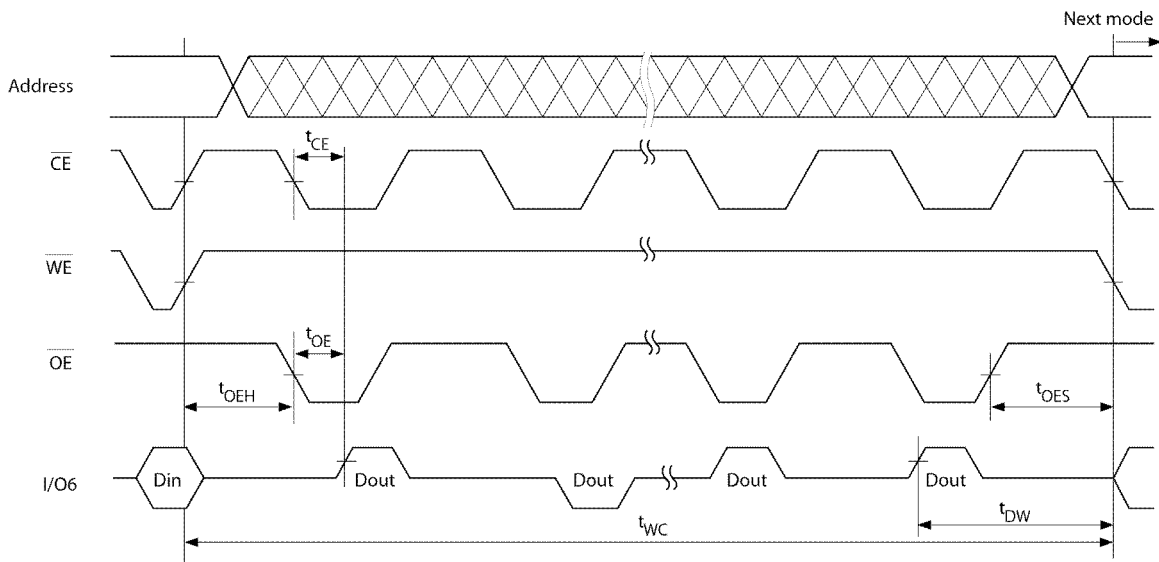


FIGURE 9. TOGGLE BIT WAVEFORM



EEPROM APPLICATION NOTES

This application note describes the programming procedures for the EEPROM modules and with details of various techniques to preserve data protection.

Automatic Page Write

Page-mode write feature allows 1 to 128 bytes of data to be written into the EEPROM in a single write cycle, and allows the undefined data within 128 bytes to be written corresponding to the undefined address (A0 to A6). Loading the first byte of data, the data load window opens 30 μ s for the second byte. In the same manner each additional byte of data can be loaded within 30 μ s. In case \overline{CE} and \overline{WE} are kept high for 100(s) after data input, EEPROM enters erase and write mode automatically and only the input data are written into the EEPROM.

\overline{WE} \overline{CE} Pin Operation

During a write cycle, addresses are latched by the falling edge of \overline{WE} or \overline{CE} , and data is latched by the rising edge of \overline{WE} or \overline{CE} .

\overline{RDY} Polling

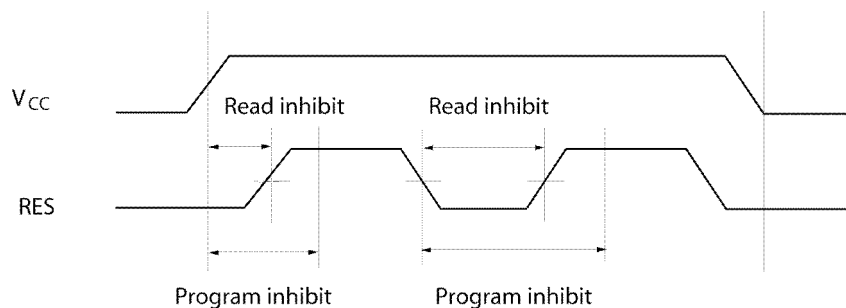
Data Polling function allows the status of the EEPROM to be determined. If EEPROM is set to read mode during a write cycle, an inversion of the last byte of data to be loaded outputs from I/O 7 to indicate that the EEPROM is performing a write operation.

\overline{RDY} /Busy Signal

\overline{RDY} /Busy signal also allows a comparison operation to determine the status of the EEPROM. The \overline{RDY} /Busy signal has high impedance except in write cycle and is lowered to V_{OL} after the first write signal. At the-end of a write cycle, the \overline{RDY} /Busy signal changes state to high impedance.

$\overline{\text{RES}}$ Signal

When $\overline{\text{RES}}$ is LOW, the EEPROM cannot be read and programmed. Therefore, data can be protected by keeping $\overline{\text{RES}}$ low when V_{CC} is switched. $\overline{\text{RES}}$ should be high during read and programming because it doesn't provide a latch function.

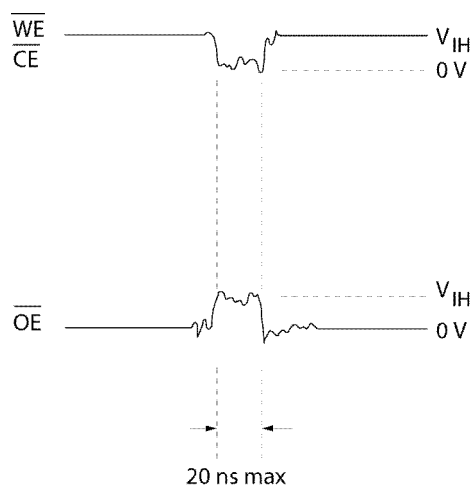


Data Protection

To protect the data during operation and power on/off, the EEPROM has the internal functions described below.

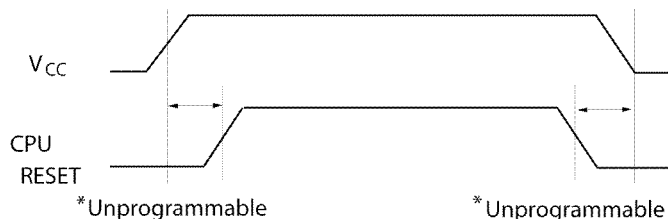
1. Data Protection against Noise of Control Pins ($\overline{\text{CE}}$, $\overline{\text{OE}}$, $\overline{\text{WE}}$) during Operation.

During readout or standby, noise on the control pins may act as a trigger and turn the EEPROM to programming mode by mistake. To prevent this phenomenon, the EEPROM has a noise cancellation function that cuts noise if its width is 20 ns or less in programming mode. Be careful not to allow noise of a width of more than 20 ns on the control pins.

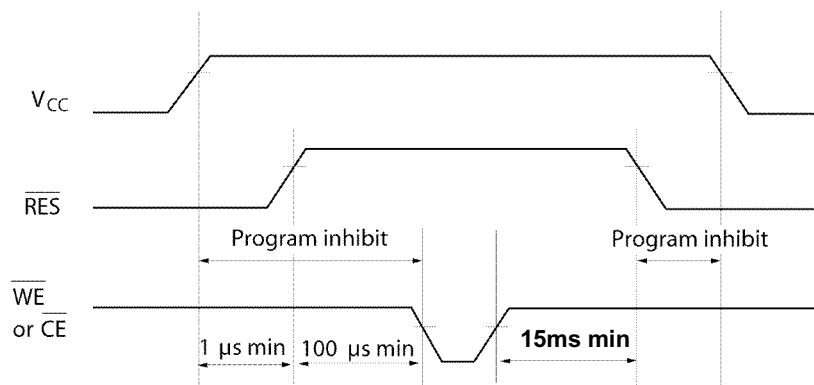


2. Data Protection at V_{CC} on/off

When V_{CC} is turned on or off, noise on the control pins generated by external circuits, such as CPUs, may turn the EEPROM to programming mode by mistake. To prevent this unintentional programming, the EEPROM must be kept in unprogrammable state during V_{CC} on/off by using a CPU reset signal to RES pin.

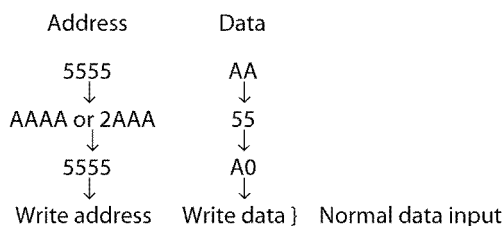


\overline{RES} should be kept at V_{SS} level when V_{CC} is turned on or off. The EEPROM breaks off programming operation when \overline{RES} become low, programming operation doesn't finish correctly in case that \overline{RES} falls low during programming operation. \overline{RES} should be kept high for 10 ms after the last data input.

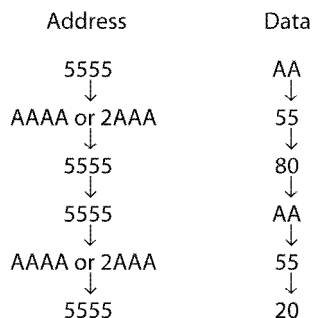


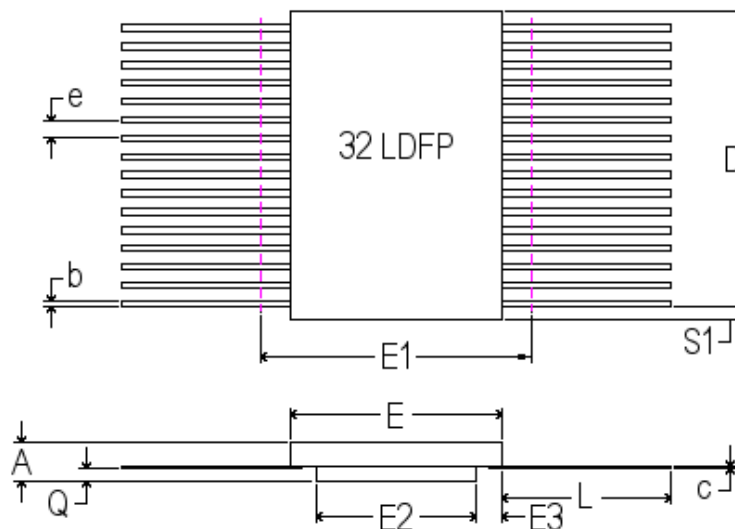
3. Software Data Protection

The software data protection function is to prevent unintentional programming caused by noise generated by external circuits. In software data protection mode, 3 bytes of data must be input before write data as follows. These bytes can switch the non-protection mode to the protection mode.



Software data protection mode can be canceled by inputting the following 6 bytes. Then, the EEPROM turns to the non-protection mode and can write data normally. However, when the data is input in the canceling cycle, the data cannot be written.

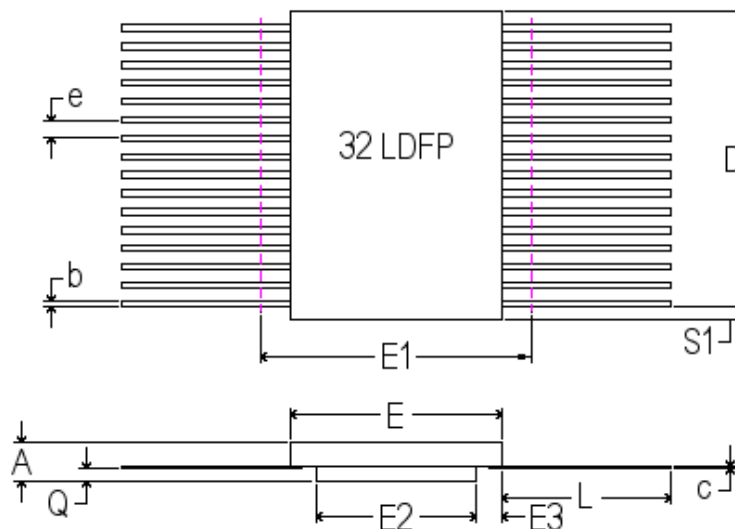




32-PIN RAD-PAK® FLAT PACKAGE

SYMBOL	DIMENSION		
	MIN	NOM	MAX
A	0.121	0.134	0.147
b	0.015	0.017	0.022
c	0.004	0.005	0.009
D	--	0.820	0.830
E	0.472	0.480	0.488
E1	--	--	0.498
E2	0.304	0.310	--
E3	0.030	0.085	--
e	0.050BSC		
L	0.355	0.365	0.375
Q	0.020	0.035	0.045
S1	0.005	0.027	--
N	32		

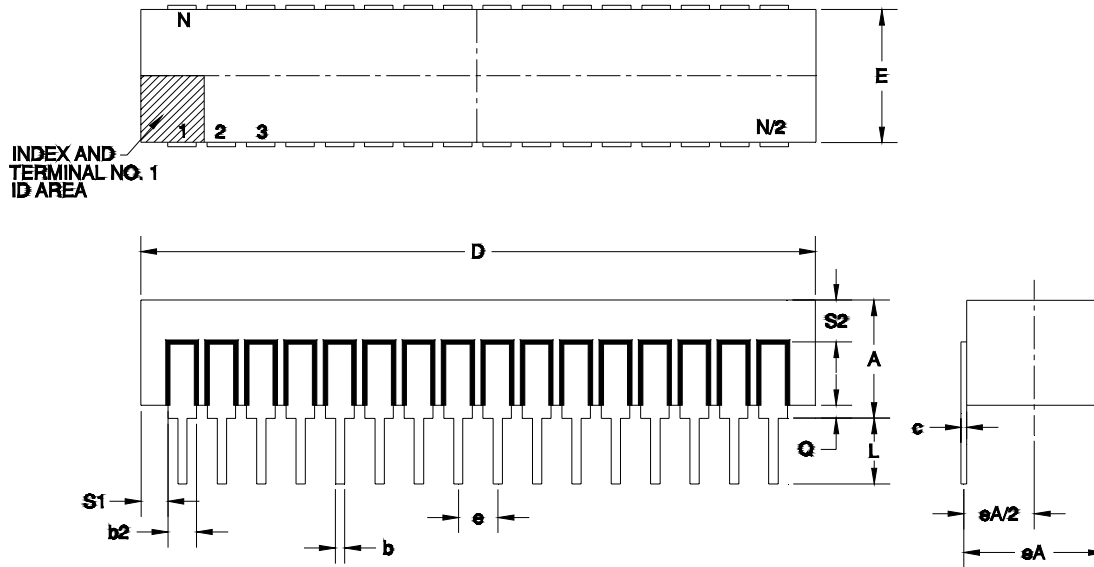
Note: All dimensions in inches



32 PIN RAD-TOLERANT FLAT PACK

SYMBOL	DIMENSION		
	MIN	NOM	MAX
A	0.095	0.109	0.125
b	0.015	0.017	0.022
c	0.004	0.005	0.009
D	--	0.820	0.830
E	0.472	0.480	0.488
E1	--	--	0.498
E2	0.350	0.365	--
E3	0.030	0.085	--
e	0.050BSC		
L	0.355	0.365	0.375
Q	0.020	0.035	0.045
S1	0.005	0.027	--
N	32		

Note: All Dimentions in Inches



32 PIN DUAL IN-LINE PACKAGE¹

SYMBOL	DIMENSION		
	MIN	NOM	MAX
A	--	0.152	0.225
b	0.014	0.018	0.026
b2	0.045	0.050	0.065
c	0.008	0.010	0.018
D	--	1.600	1.680
E	0.510	0.590	0.620
eA	0.600 BSC		
eA/2	0.300 BSC		
e	0.100 BSC		
L	0.135	0.145	0.155
Q	0.015	0.037	0.070
S1	0.005	0.025	--
S2	0.005	--	--
N	32		

1. Standard Product Screening Flow MIL-STD-883, Method 2001, Constant Acceleration: For this package type Constant Acceleration is 3000g's

Note: All dimensions in inches

3.3V 1 Megabit (128K x 8-Bit) EEPROM

28LV010

Important Notice:

These data sheets are created using the chip manufacturers published specifications. Maxwell Technologies verifies functionality by testing key parameters either by 100% testing, sample testing or characterization.

The specifications presented within these data sheets represent the latest and most accurate information available to date. However, these specifications are subject to change without notice and Maxwell Technologies assumes no responsibility for the use of this information.

Maxwell Technologies' products are not authorized for use as critical components in life support devices or systems without express written approval from Maxwell Technologies.

Any claim against Maxwell Technologies must be made within 90 days from the date of shipment from Maxwell Technologies. Maxwell Technologies' liability shall be limited to replacement of defective parts.